

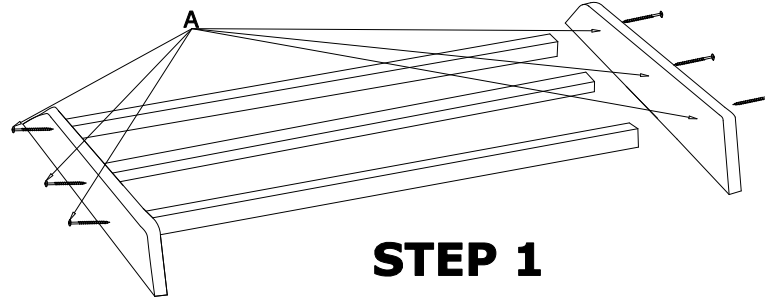
# DOUBLE COASTAL GLIDER

AD-0114

**BREEZESTA™**  
Recycled Poly Furniture

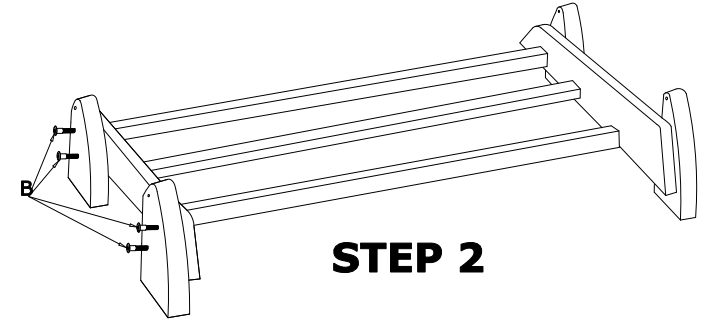
## LIST OF PARTS

- Left End Assembly (1)
- Right End Assembly (1)
- Rails (3)
- Colored Screws "A" (6)
- Chair Bolts "B" (8)
- Chair Bolts "C" (4)



**STEP 1**

Attach Sides to Spreaders using screws (A) as shown.

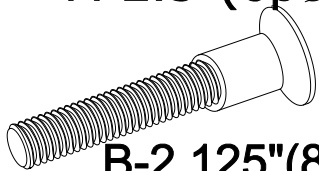


**STEP 2**

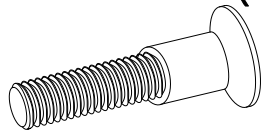
Attach Glider Base to Glider Legs using chair bolts (B) as shown.



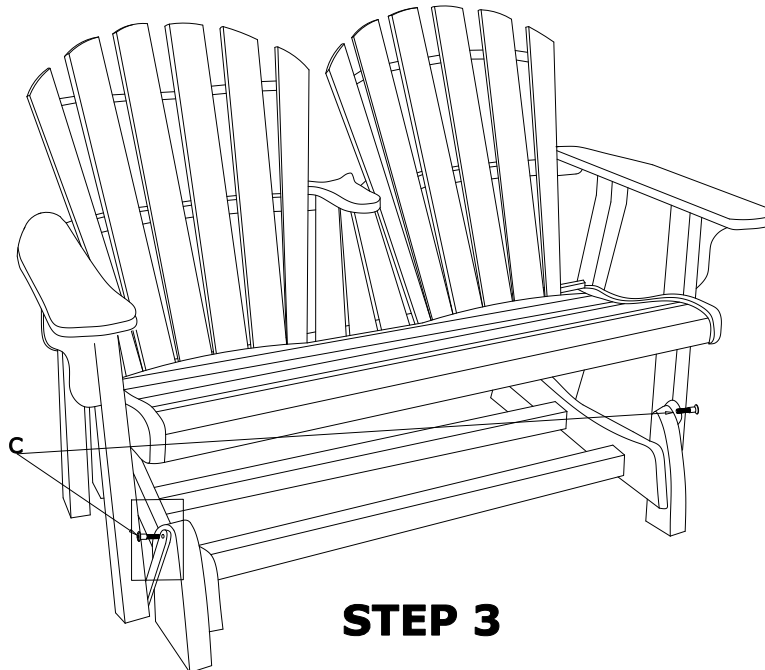
**A-2.5" (6pcs.) painted**



**B-2.125" (8pcs.) painted**

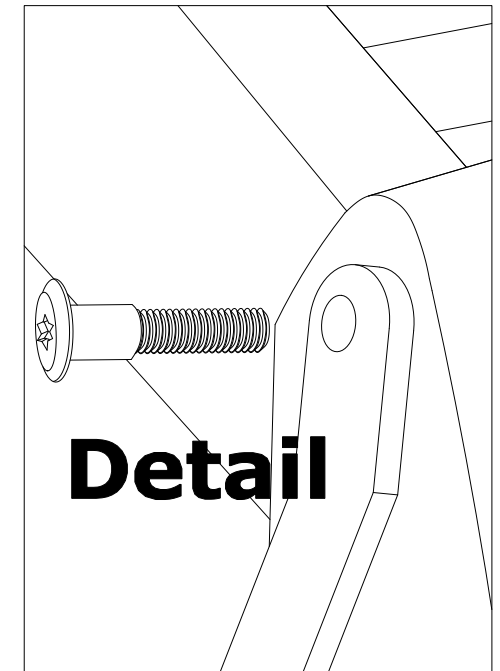


**C-1.5" (4pcs.) painted**



**STEP 3**

Slide Glider Assembly under bench. Attach metal brackets to Glider Assembly using Chair Bolts (C) as shown in the Detail.



**Detail**