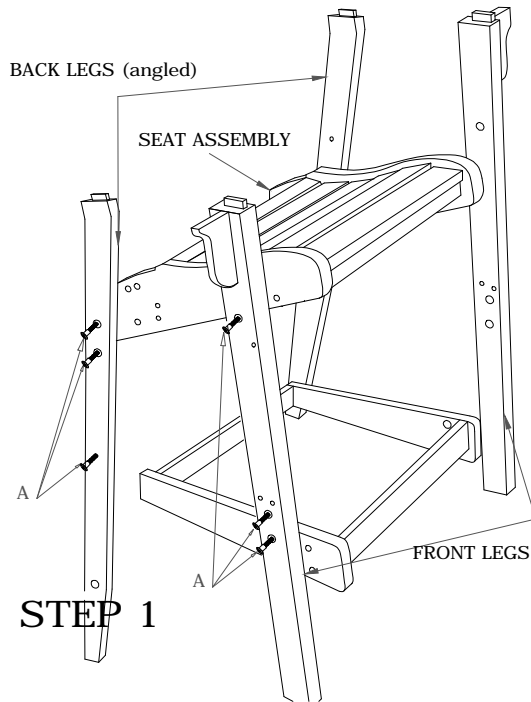


# COASTAL BAR CHAIR

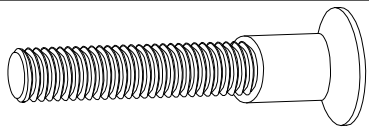
## BH-0905

**BREEZESTA™**  
Recycled Poly Furniture

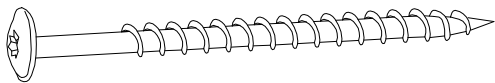


**STEP 1**

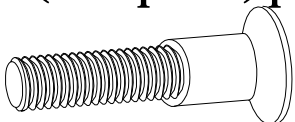
Attach front and back legs to seat and leg base assemblies.



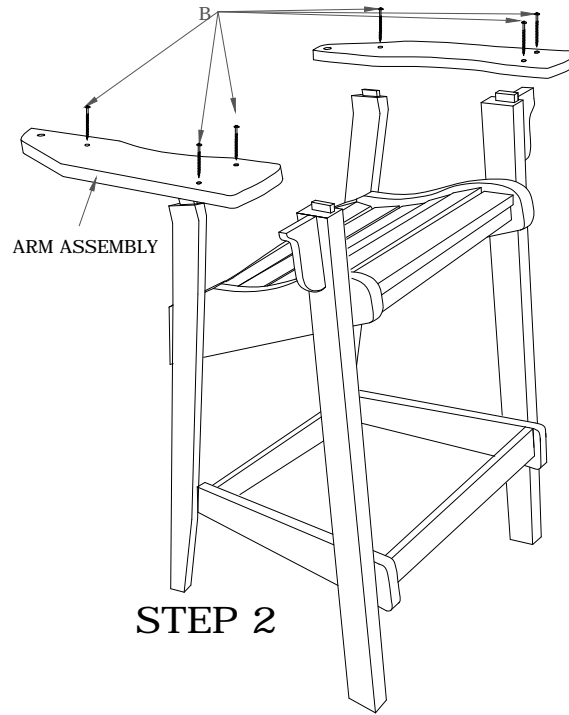
**A-2.125" (12 pcs.) painted**



**B-2.5" (12 pcs.) painted**



**C-1.5" (2 pcs.) painted**

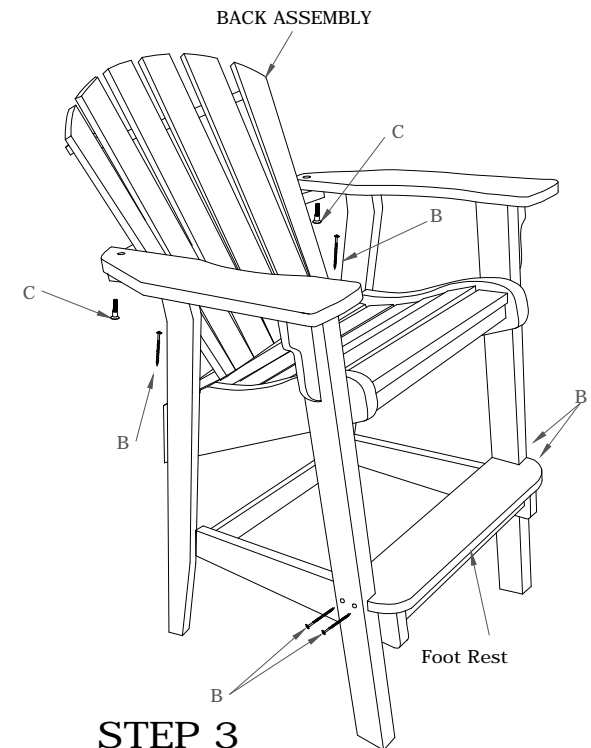


**STEP 2**

Attach arm rest and supports as shown.

### LIST OF PARTS

- Back Assembly (1)
- Seat Assembly (1)
- Front Legs (2)
- Rear Legs (2)
- Arms (1R) (1L)
- Base Assembly (1)
- Foot Rest (1)
- Chair Bolts "A" (12)
- Colored Screws "B" (12)
- Chair Bolts "C" (2)
- Insert Bit Tool (1)



**STEP 3**

Slide back onto seat and attach at seat and arm rest. Attach foot rest.