

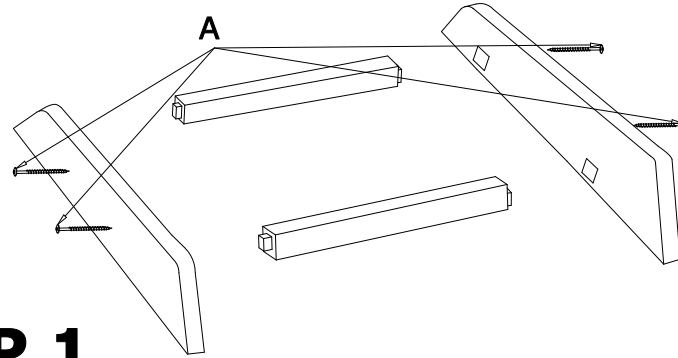
# SINGLE COASTAL GLIDER

AD-0113

**BREEZESTA** <sup>tm</sup>  
Recycled Poly Furniture

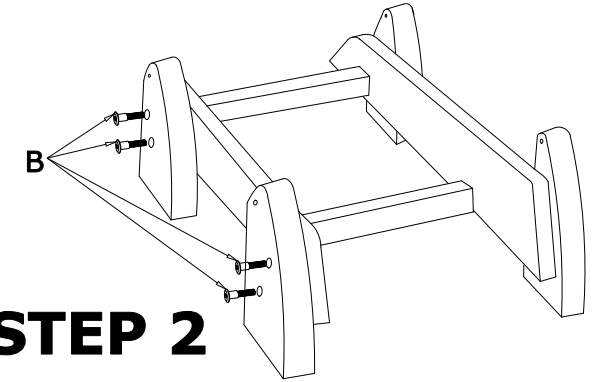
## LIST OF PARTS

Left End Assembly (1)  
Right End Assembly (1)  
Rails (2)  
Spreaders (2)  
Colored Screws "A" (4)  
Chair Bolts "B" (8)  
Chair Bolts "C" (4)



## STEP 1

Attach Sides to Spreaders using screws (A) as shown.

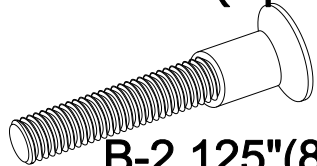


## STEP 2

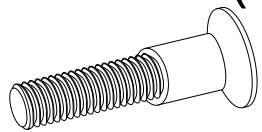
Attach Glider Base to Glider Legs using chair bolts (B) as shown.



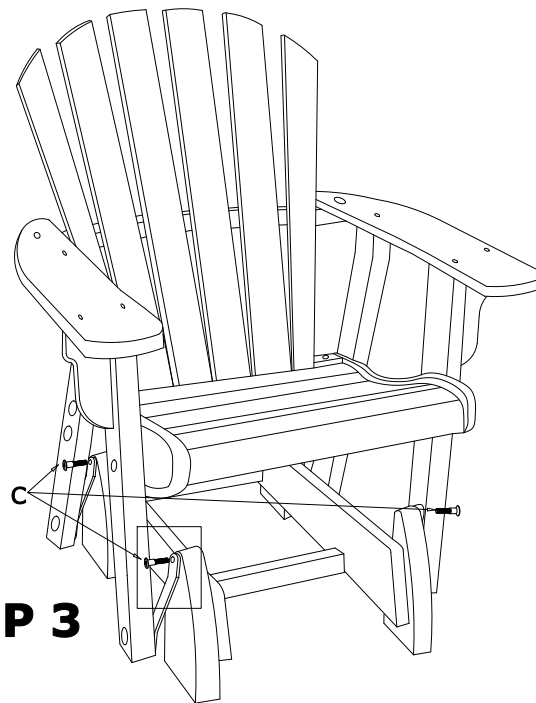
A-1.5"(4pcs.)painted



B-2.125"(8pcs.)painted

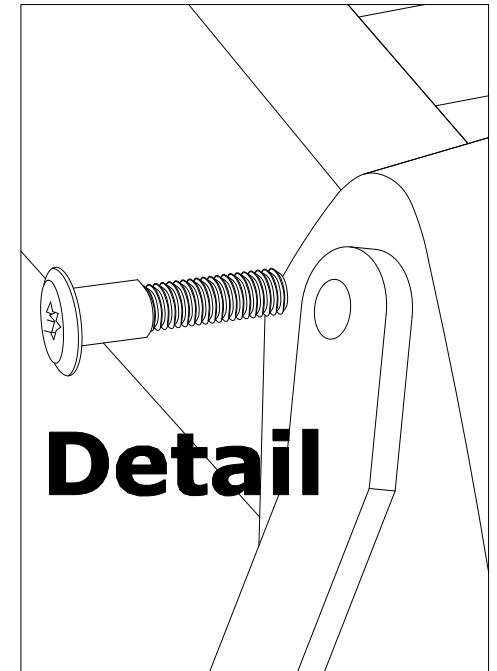


C-1.5"(4pcs.)painted



## STEP 3

Slide Glider Assembly under bench. Attach metal brackets to Glider Assembly using Chair Bolts (C) as shown in the Detail.



## Detail